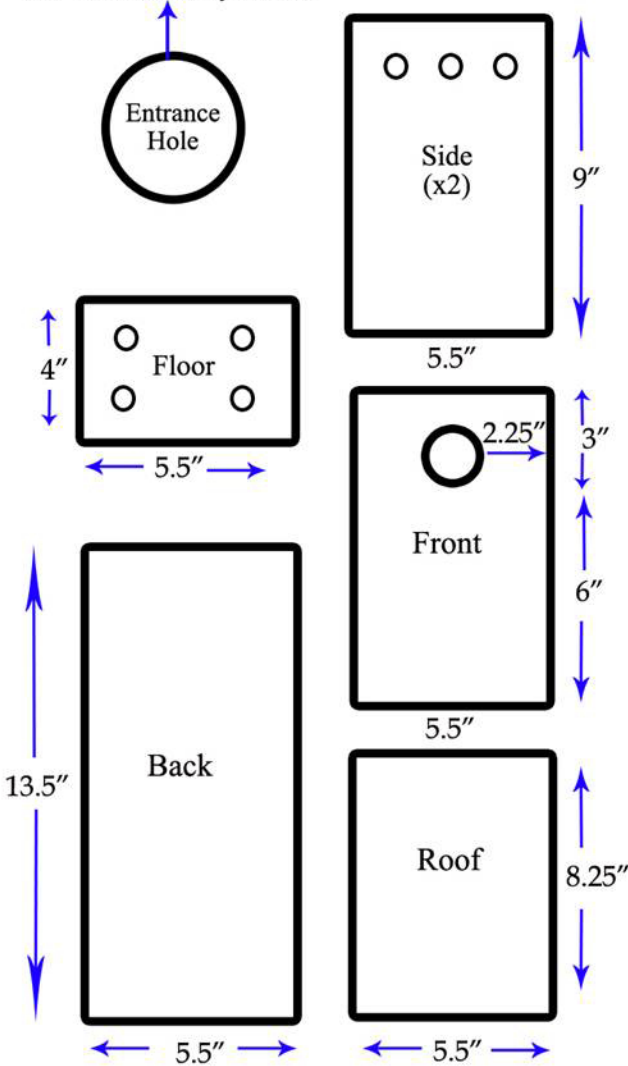
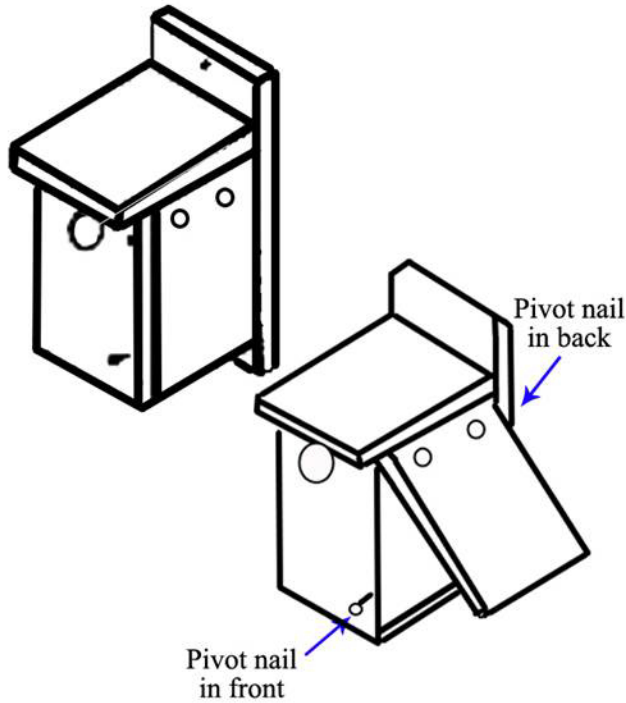


# Tree Swallow, Eastern Bluebird and Great-Crested Flycatcher Nest Box

1.5" diameter for bluebirds & swallows  
 1.75" diameter for flycatchers



**Note:** These dimensions assume you are using a 3/4" thick board. Some cedar boards are 7/8" thick. So, if using 7/8" thick board, then make the floor 3 3/4" wide.



**Note:** Two pivot nails allow side to swing out for cleaning. Use one nail at the bottom to close side.

Lumber sheet: One 1" x 6" x 6'

